

**JFW MODEL**

115-525

**IMPEDANCE**

50 Ohms nominal

**FREQUENCY RANGE**

DC-6 GHz

**VSWR (typical)**

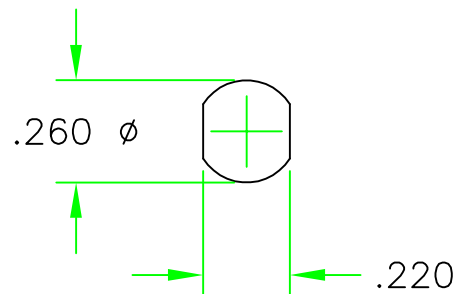
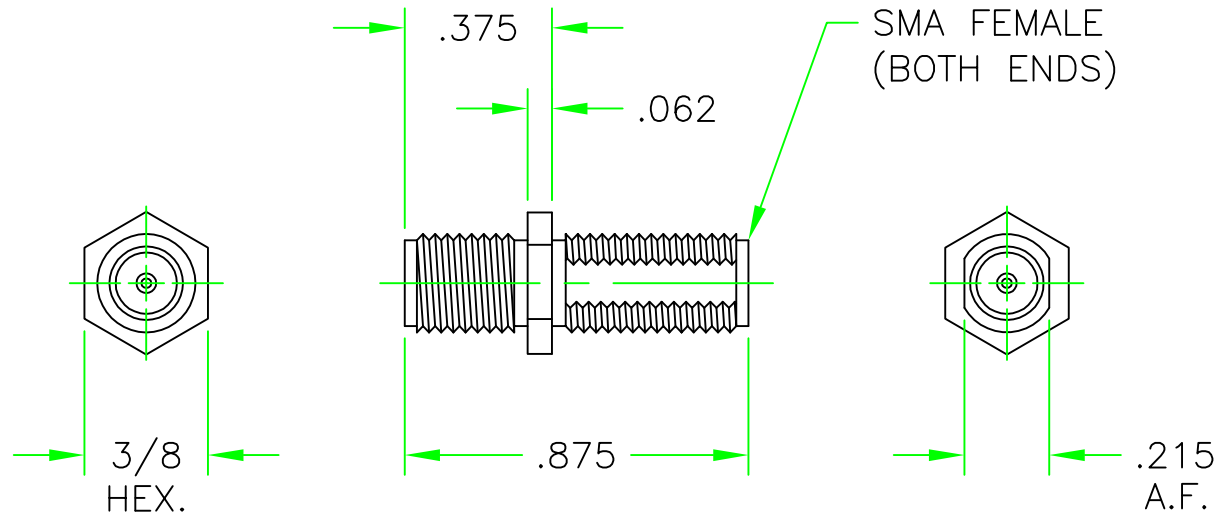
|       |         |
|-------|---------|
| 1 GHz | 1.022:1 |
| 2 GHz | 1.033:1 |
| 3 GHz | 1.036:1 |
| 4 GHz | 1.036:1 |
| 5 GHz | 1.042:1 |
| 6 GHz | 1.051:1 |

**Connector Body**

Passivated SS


**Connector Pins**

Gold Plated



RECOMMENDED MOUNTING

NOTE: THIS PART IS SUPPLIED WITH HEXNUT &amp; LOCKWASHER

| REV | ECN    | DATE    | BY  | APPR |  <b>JFW INDUSTRIES, INC.</b><br><a href="http://www.jfwindustries.com">www.jfwindustries.com</a> PH: 317-887-1340 |  |
|-----|--------|---------|-----|------|--|--|
| -   | ISSUED | 3-14-18 | TEZ | TRS  | MATERIAL STAINLESS STEEL<br>FINISH PASSIVATED<br>MODEL 115-525 SCALE 2X<br>DESCRIPTION RF ADAPTER SMA FEMALE/FEMALE  |  |
| A   | 28718  | 5-7-18  | DTS | TRS  |  |  |
|     |        |         |     |      | DWG # 115-525  |  |